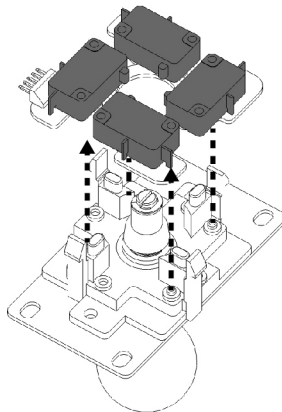
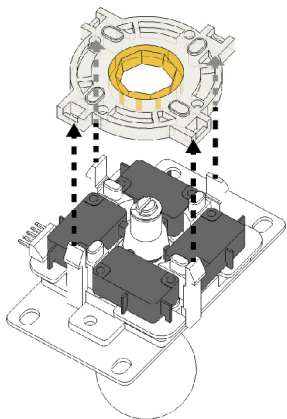


GAMERFINGER Optical PCB Kit Assembly instructions



1. Remove the Restrictor Plate

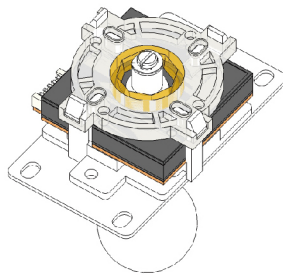
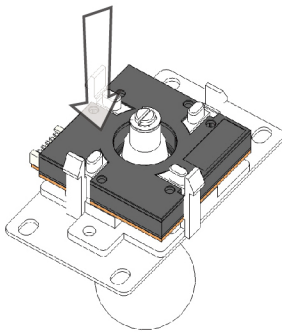
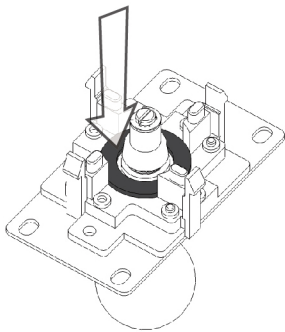
2. Remove the TP-MA switch



3. Place the Foam Pad

4. Set the Optical PCB Kit

5. Reassemble the Restrictor Plate



Provides Additional Tension

1. Remove the e-clip

Watch out parts will ejected.

Please hold the T-tube before you remove e-clip.

2. Set Copper Ring above the T-tube.

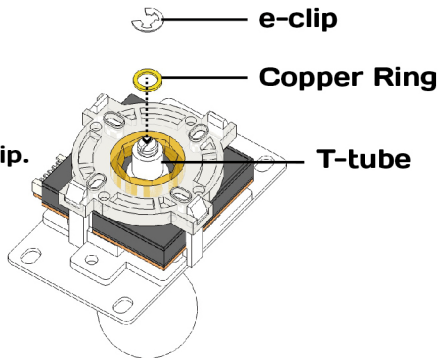
3. Reassemble the e-clip

4. Done! enjoy it.

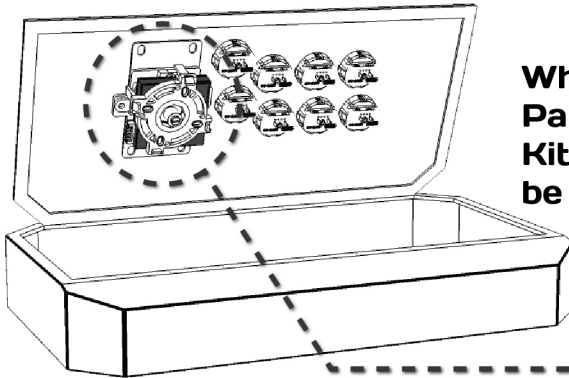
 e-clip

 Copper Ring

 T-tube

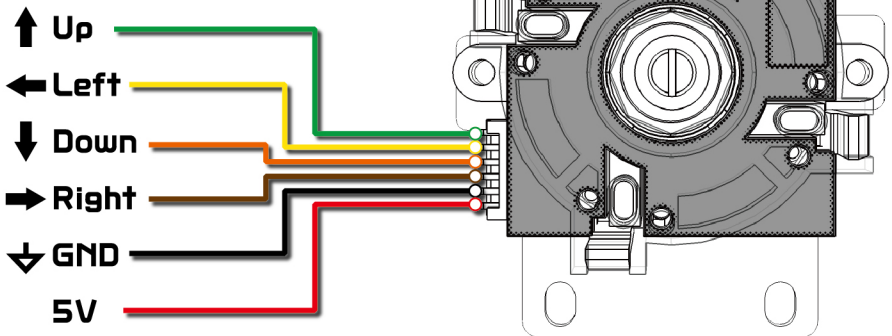


GAMERFINGER Optical PCB Kit Assembly instructions



When you open the Control Panel, the **OPTICAL PCB Kit 6pin connectors** should be left.

Wire configuration



Warning: Operating Voltage: 3.3V~15V

1) 5V and GND must be in the same circuit.

2) Always make sure your 5V power supply is connected to the VDD pins and Ground to GND. If you reverse this and connect 5V to GND and GND to VDD, it will not explode, but it will most likely damaged the Optical Stick PCB.